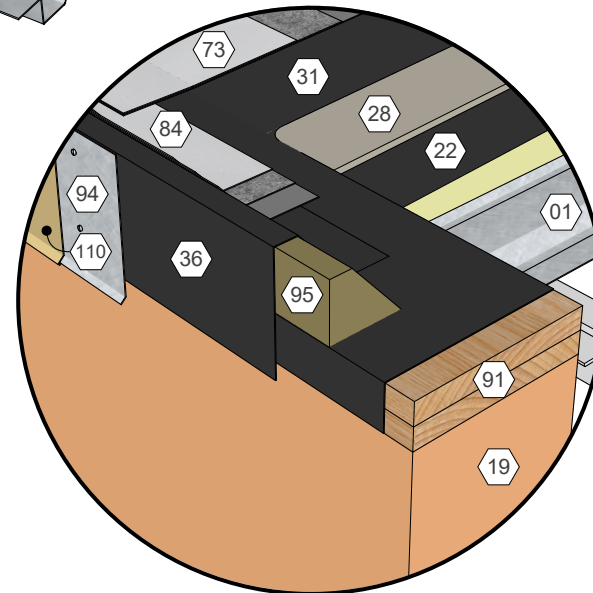


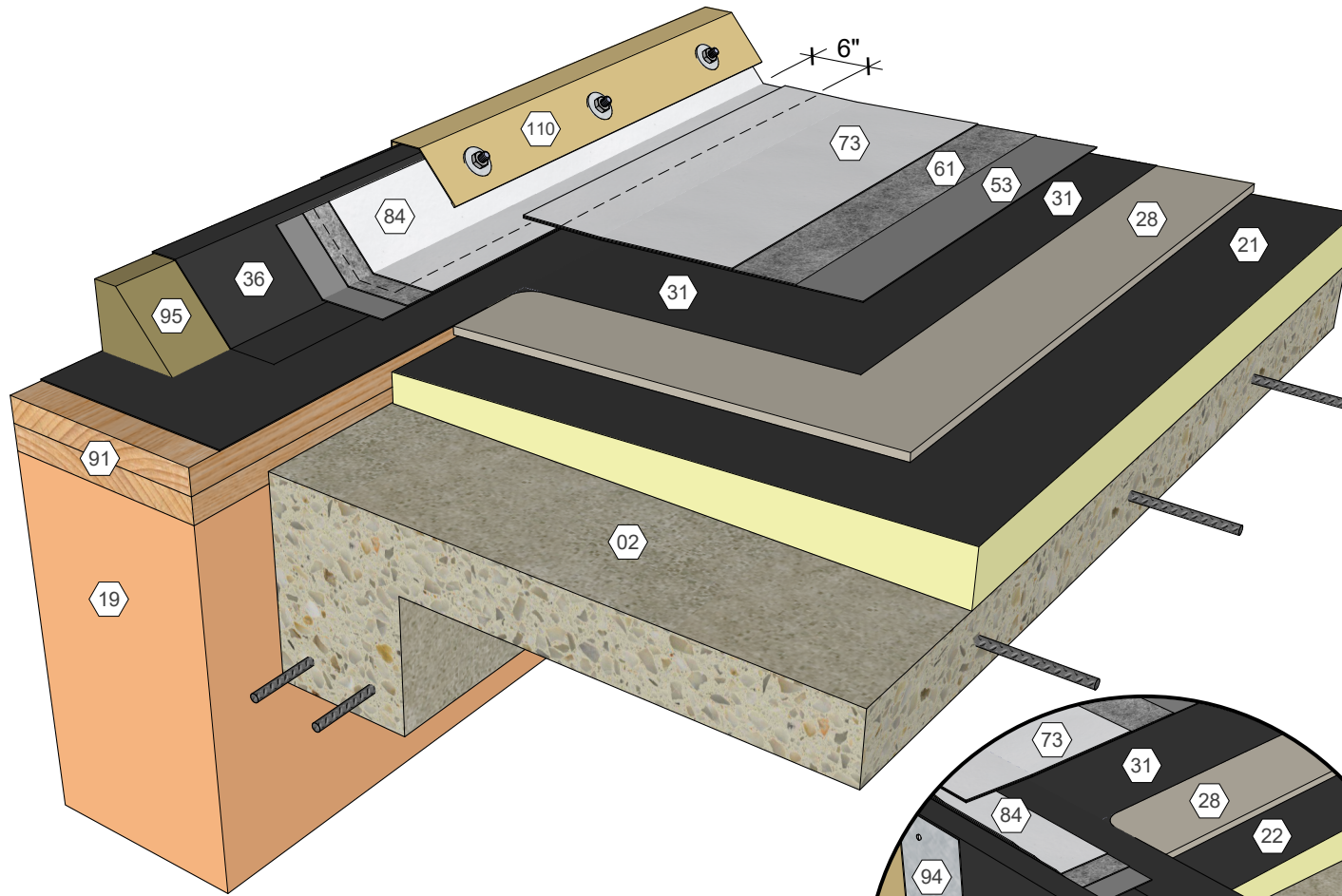
KEY NOTES

- 01 Metal Deck
- 09 Roof Structure
- 19 Wall Assembly
- 22 Polyisocyanurate Insulation (Fastened or Adhered)
- 28 Cover Board (Adhered)
- 31 Approved Base Ply Sheet
- 36 Base Sheet Liner
- 53 AlphaGuard PUMA Base Coat
- 61 AlphaGuard Glass Mat or Permafab
- 73 AlphaGuard PUMA Top Coat
- 84 AlphaGuard Flashing
- 91 Wood Blocking
- 94 Continuous Cleat
- 95 Cant Strip
- 110 Sheet Metal Fascia Cap



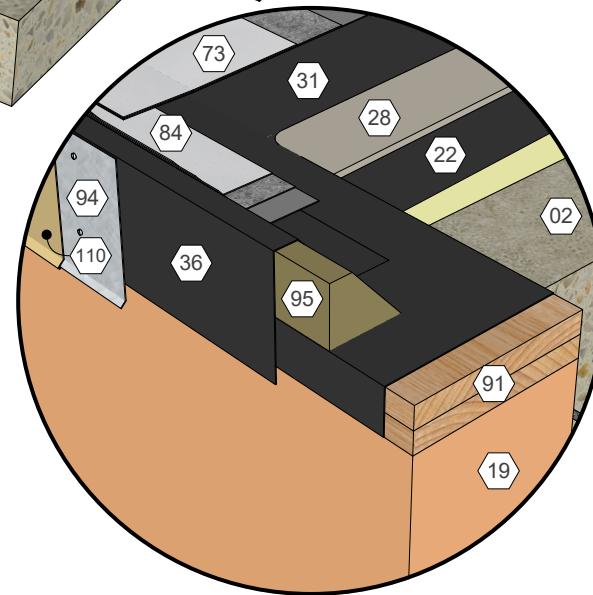
AlphaGuard® PUMA Plus Raised Perimeter Edge Detail, Metal Deck
Detail 24021

TREMCO
ROOFING & BUILDING MAINTENANCE

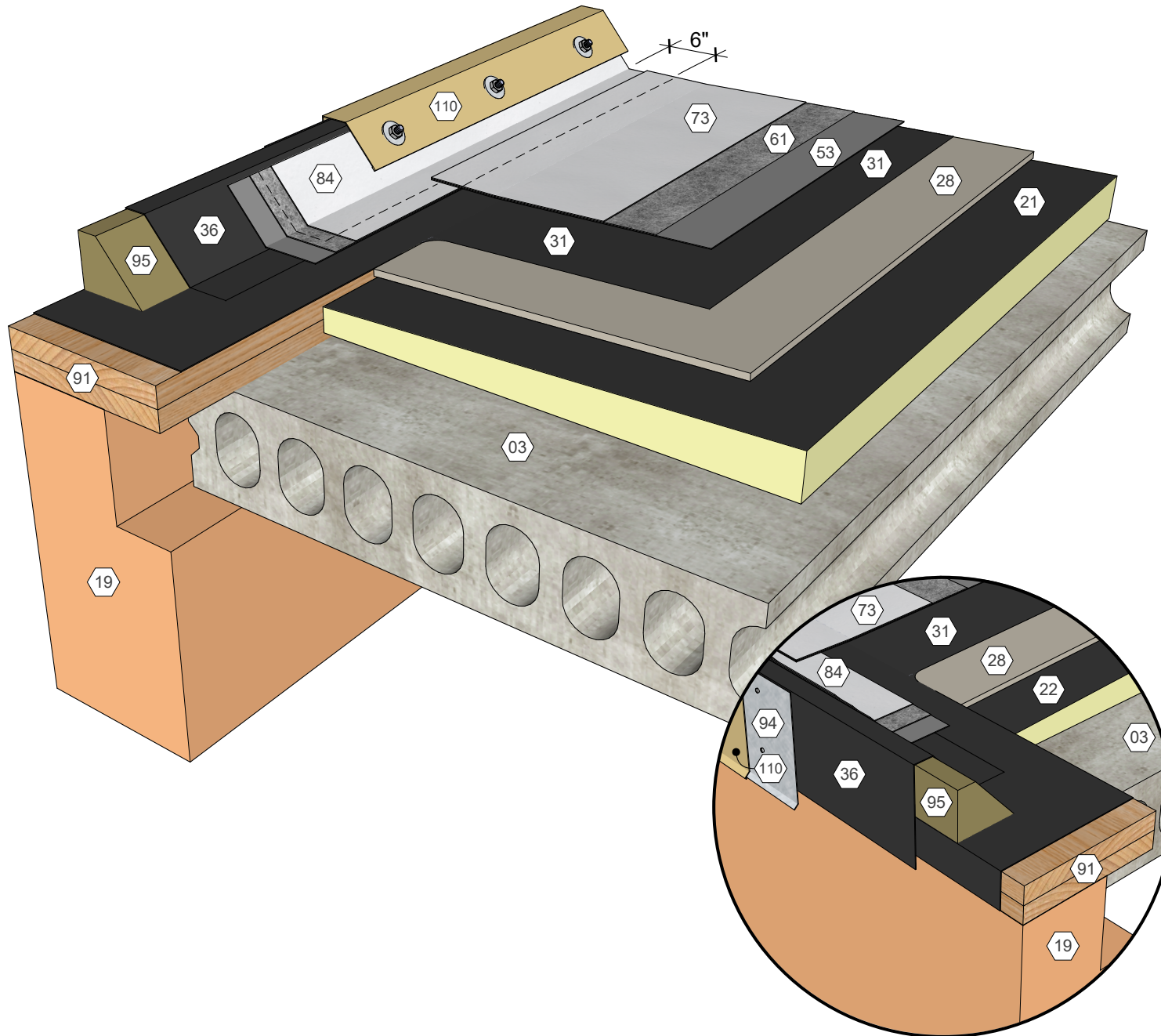


KEY NOTES

- 02 Structural Concrete Deck
- 09 Roof Structure
- 19 Wall Assembly
- 21 Polyisocyanurate Insulation (Adhered)
- 28 Cover Board (Adhered)
- 31 Approved Base Ply Sheet
- 36 Base Sheet Liner
- 53 AlphaGuard PUMA Base Coat
- 61 AlphaGuard Glass Mat or Permafab
- 73 AlphaGuard PUMA Top Coat
- 84 AlphaGuard Flashing
- 91 Wood Blocking
- 94 Continuous Cleat
- 95 Cant Strip
- 110 Sheet Metal Fascia Cap



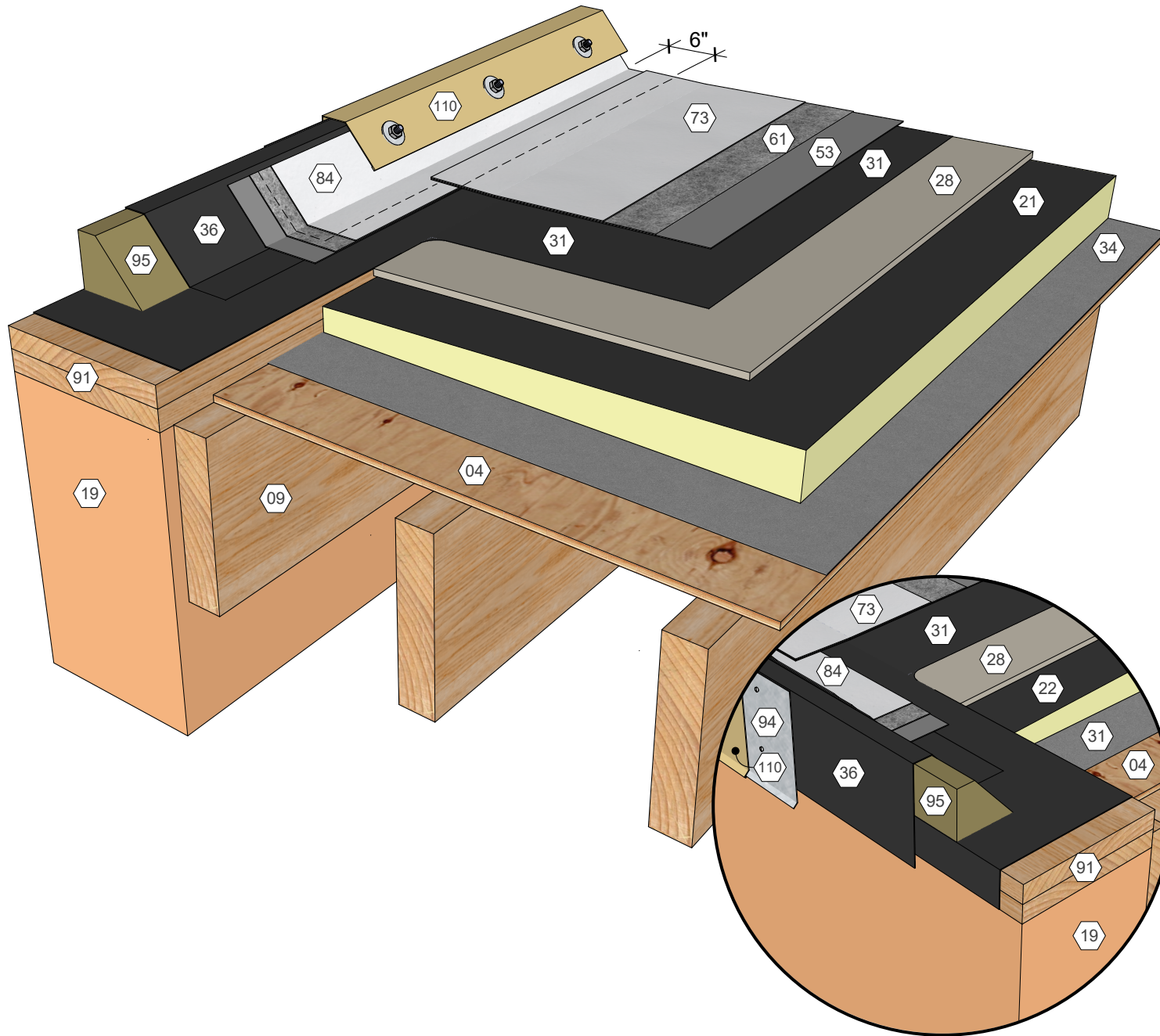
AlphaGuard® PUMA Plus Raised Perimeter Edge Detail, Structural Concrete Deck
 Detail 24022



KEY NOTES

- 03 Precast Concrete Deck
- 09 Roof Structure
- 19 Wall Assembly
- 21 Polyisocyanurate Insulation (Adhered)
- 28 Cover Board (Adhered)
- 31 Approved Base Ply Sheet
- 36 Base Sheet Liner
- 53 AlphaGuard PUMA Base Coat
- 61 AlphaGuard Glass Mat or Permafab
- 73 AlphaGuard PUMA Top Coat
- 84 AlphaGuard Flashing
- 91 Wood Blocking
- 94 Continuous Cleat
- 95 Cant Strip
- 110 Sheet Metal Fascia Cap

AlphaGuard® PUMA Plus Raised Perimeter Edge Detail, Precast Concrete Deck
Detail 24023

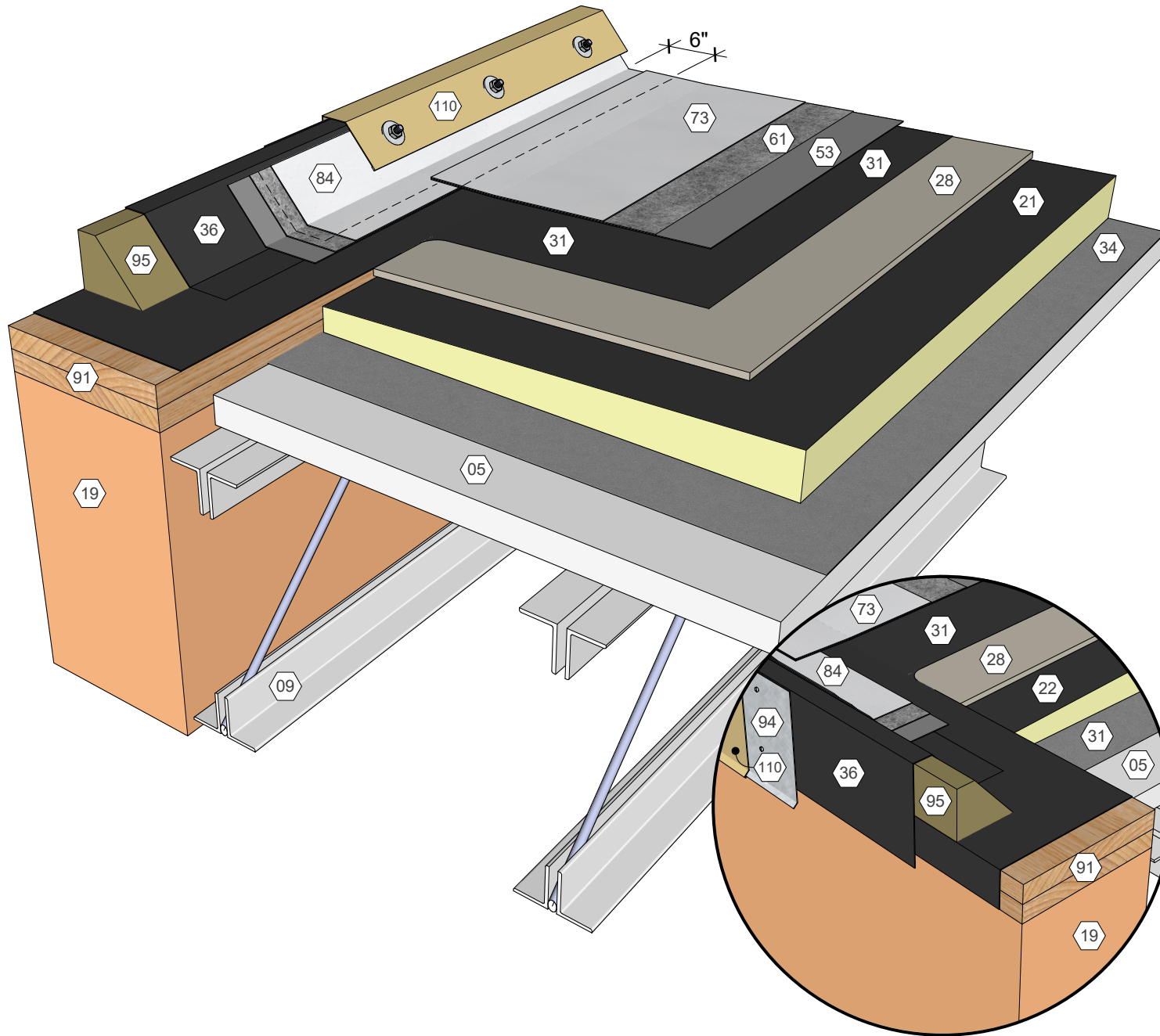


KEY NOTES

- 04 Wood Deck
- 09 Roof Structure
- 19 Wall Assembly
- 21 Polyisocyanurate Insulation (Adhered)
- 28 Cover Board (Adhered)
- 31 Approved Base Ply Sheet
- 34 Base Sheet (Fastened)
- 36 Base Sheet Liner
- 53 AlphaGuard PUMA Base Coat
- 61 AlphaGuard Glass Mat or Permafab
- 73 AlphaGuard PUMA Top Coat
- 84 AlphaGuard Flashing
- 91 Wood Blocking
- 94 Continuous Cleat
- 95 Cant Strip
- 110 Sheet Metal Fascia Cap

AlphaGuard® PUMA Plus Raised Perimeter Edge Detail, Wood Deck
Detail 24024

TREMCO
ROOFING & BUILDING MAINTENANCE



KEY NOTES

- 05 Gypsum Deck
- 09 Roof Structure
- 19 Wall Assembly
- 21 Polyisocyanurate Insulation (Adhered)
- 28 Cover Board (Adhered)
- 31 Approved Base Ply Sheet
- 34 Base Sheet (Fastened)
- 36 Base Sheet Liner
- 53 AlphaGuard PUMA Base Coat
- 61 AlphaGuard Glass Mat or Permafab
- 73 AlphaGuard PUMA Top Coat
- 84 AlphaGuard Flashing
- 91 Wood Blocking
- 94 Continuous Cleat
- 95 Cant Strip
- 110 Sheet Metal Fascia Cap

AlphaGuard® PUMA Plus Raised Perimeter Edge Detail, Gypsum Deck
Detail 24025